

iNet

Description:

This full-featured programmable embedded Network Controller is specifically designed by our engineers for full compatibility with ControlCore software and hardware products. It provides secure remote access and supervisory control facilities for your ControlCore projects.

In conjunction with the ControlCore suite, it also offers full programmability, easy Modbus integration, all at one of the best performance/price ratio available on the market.

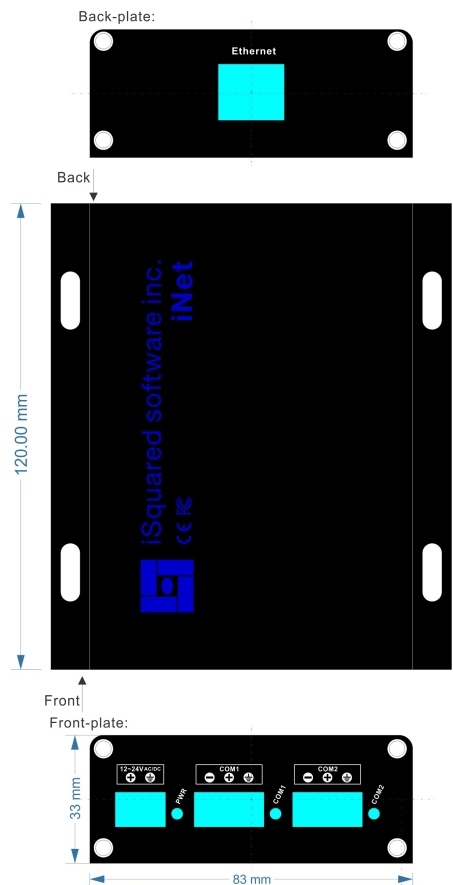
Highlights:

- Licensed for ControlCore programming environment
- Sturdy aluminium enclosure
- Real Time Clock
- Two RS485 network ports, adjustable baud rate
- Ethernet connection



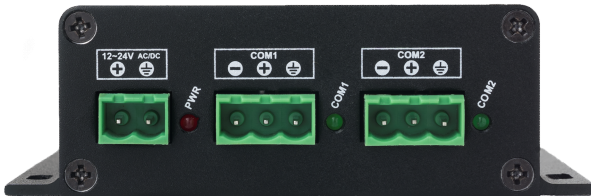
Technical data:

- iNet.....two independent RS485 network ports
Ethernet connection.
- Operating temperature..... -30~70°C(-22~158°F).
- Supply voltage.....12~24V AC/DC, 50-60Hz.
- Nominal power consumption.....100mA at 24VDC.
- Operating Environment.....0 ~ 99% humidity non condensing.
- Aluminium housing.
- Real Time Clock.
- Supports ControlCore™ and standard Modbus/RTU protocol.
- Two (2) RS485 network ports, 19200 / 8-N-1
User selectable baud rates (9600, 19200, 38400, 57600, 115200)
- Colour.....Black.
- Weight.....320g.

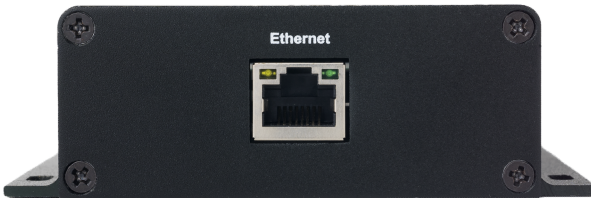


iNet connections and board:

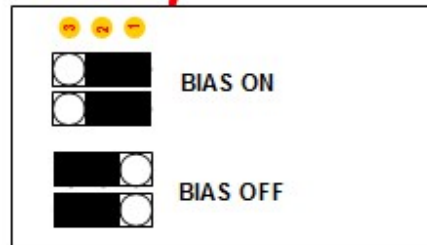
Power and COM:



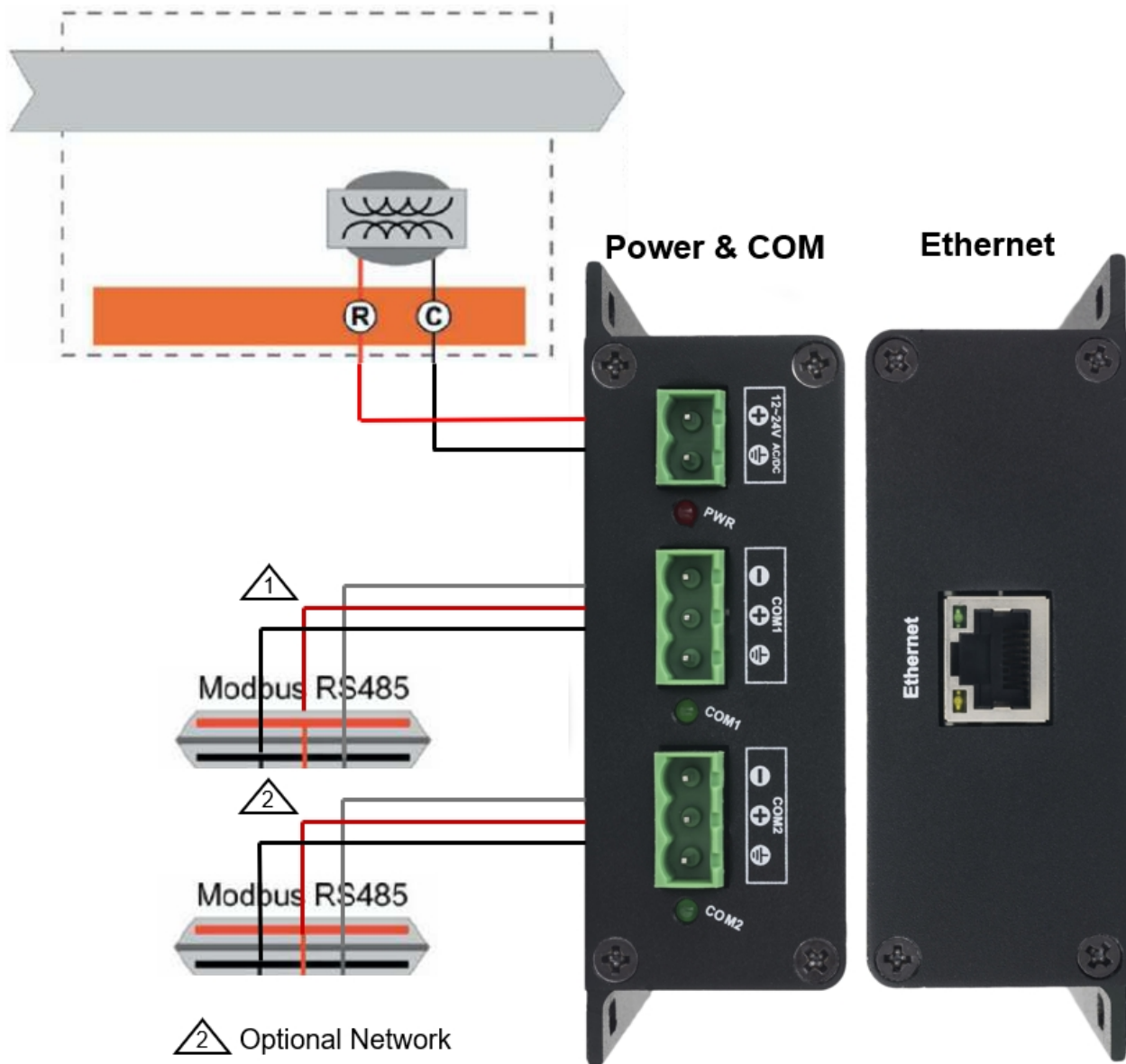
Ethernet:



Board and orientation of the RS485 Bias resistor jumpers:



Wiring Diagram:



One Year Guarantee and Limitation of Liability:

iSquared software inc. guarantees to the original purchaser that this product is free from defects in both material and workmanship under normal use and service within one (1) year from the date of shipment from the factory or from its official sales channel to the original purchaser. The liability of iSquared software inc. under this guarantee shall not in any case exceed the cost of correcting defects in the product of supplying replacement product as herein provided and upon the expiration of the guarantee period all such liability shall terminate.