

iNet

Embedded network controller

Description:

This full-featured programmable embedded Network Controller is specifically designed by our engineers for full compatibility with ControlCore software and hardware products. It provides secure remote access and supervisory control facilities for your ControlCore projects.

In conjunction with the ControlCore suite, it also offers full programmability, easy Modbus integration, all at one of the best performance/price ratio available on the market.



Highlights:

- Licensed for ControlCore programming environment
- Sturdy aluminium enclosure
- Real Time Clock
- Two RS485 network ports, adjustable baud rate
- Ethernet connection

Technical Data:

iNetE:

- 2 independent RS485 network ports
- Ethernet connection

Operating temperature:

-30-70°C (-22~158°F)

Supply voltage:

12~24V AC/DC, 50-60Hz

Nominal power consumption:

100mA at 24VDC

Operating environment:

0~99% humidity non-condensing

Aluminium housing

Real Time Clock

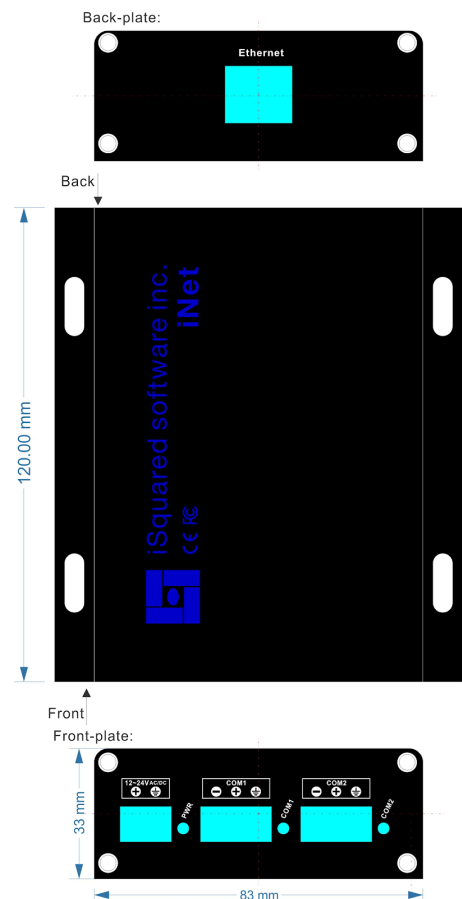
Supports ControlCore and standard Modbus/RTU protocol

2 RS485 network port, 19200 / 8-N-1

User selectable baud rates (9600, 19200, 38400, 57600, 115200)

Color:

Black

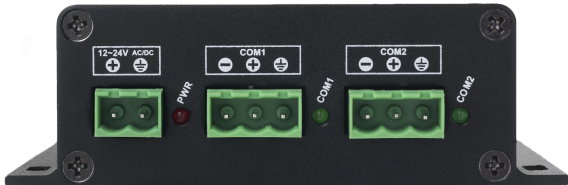


iNet Embedded network controller

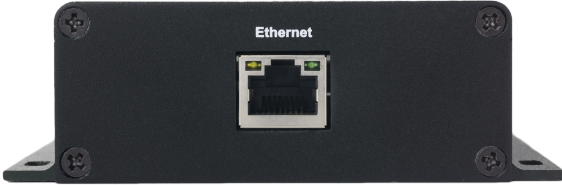
Weight:320g

Connections and board:

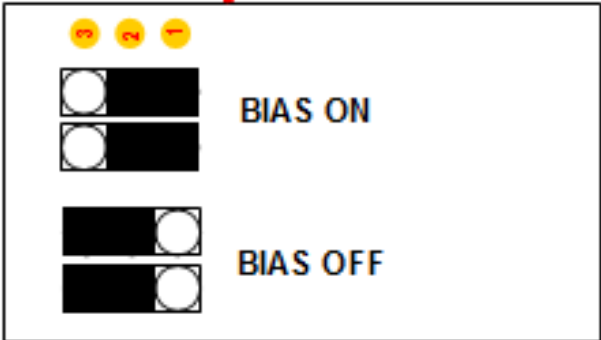
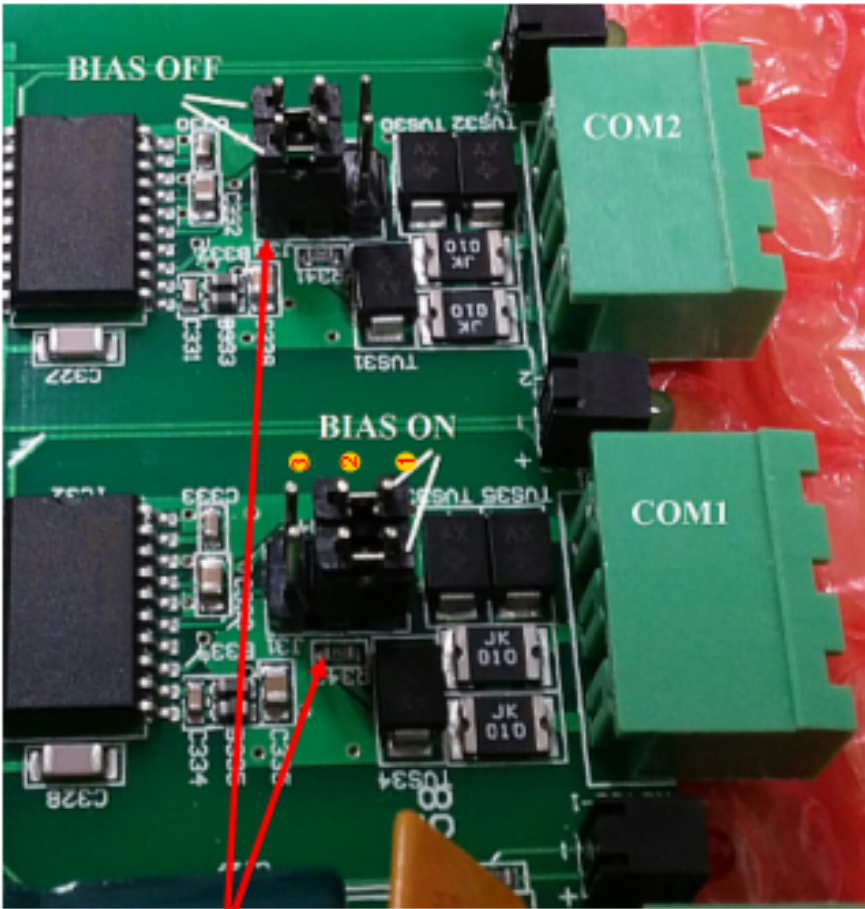
Power and COM



Ethernet



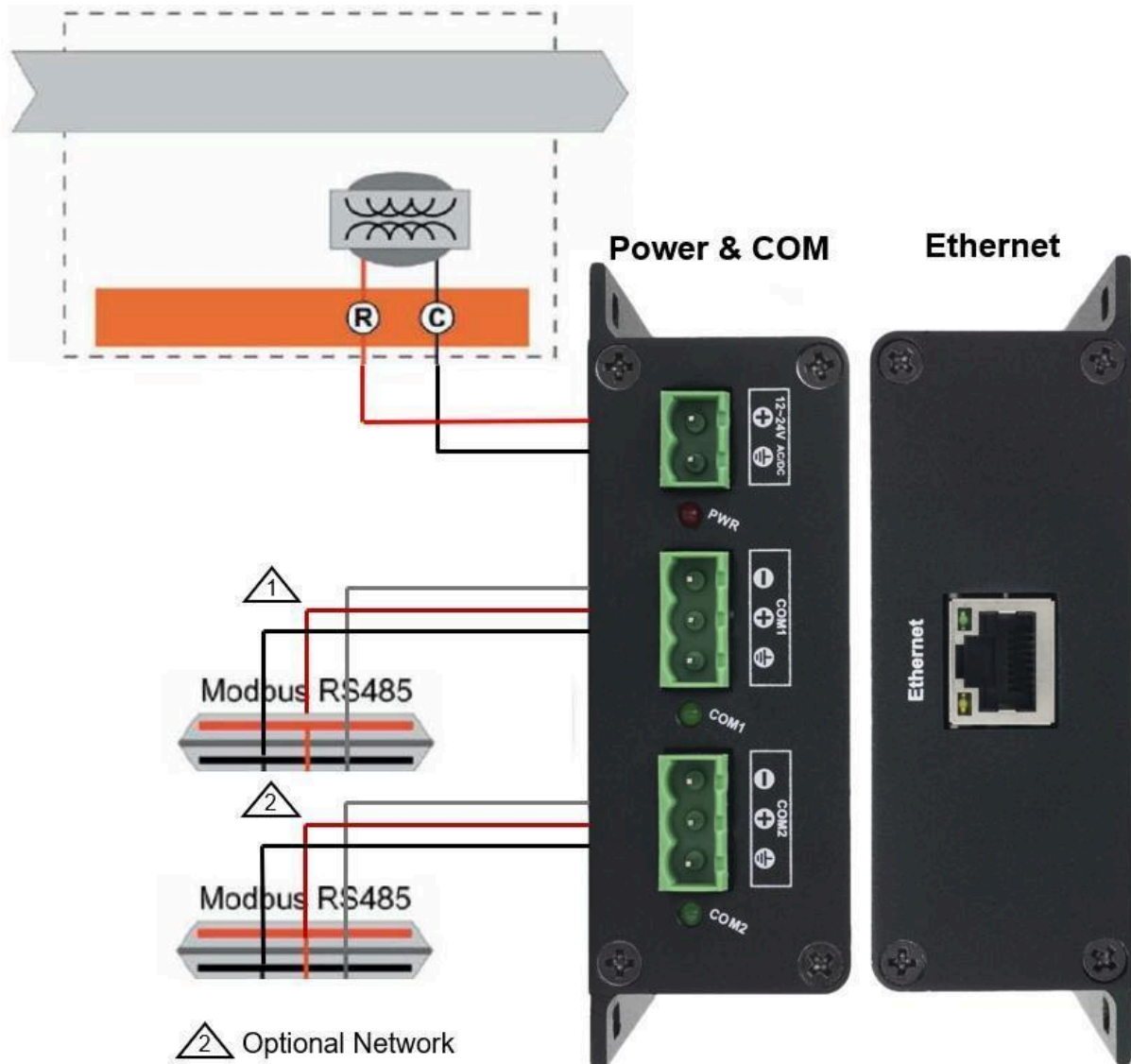
Board orientation of the RS485 Bias resistor jumpers:



iNet

Embedded network controller

Wiring diagram:



One Year Guarantee and Limitation of Liability:

iSquared Software Inc. warrants to the original purchaser that this product is free from defects in materials and workmanship under normal use and service for a period of one (1) year from the date of shipment from the factory or an authorized sales channel.

iSquared Software Inc.'s liability under this warranty is limited solely to the repair or replacement of defective products. Upon expiration of the warranty period, all such liability shall terminate.